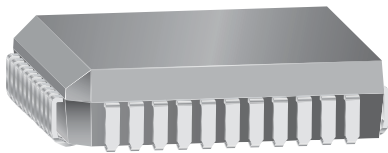


## DMOS Three-Phase PWM Motor Driver

### Features and Benefits

- $\pm 3$  A, 50 V continuous output rating
- Low  $r_{DS(on)}$  outputs (typically 500 m $\Omega$  source, 315 m $\Omega$  sink)
- Configurable mixed-, fast- and slow-current-decay modes
- Synchronous rectification for low power dissipation
- Internal UVLO and thermal shutdown circuitry
- Crossover-current protection
- Tachometer output for external speed control loop

### Package: 44-pin PLCC (suffix ED)



Not to scale

### Description

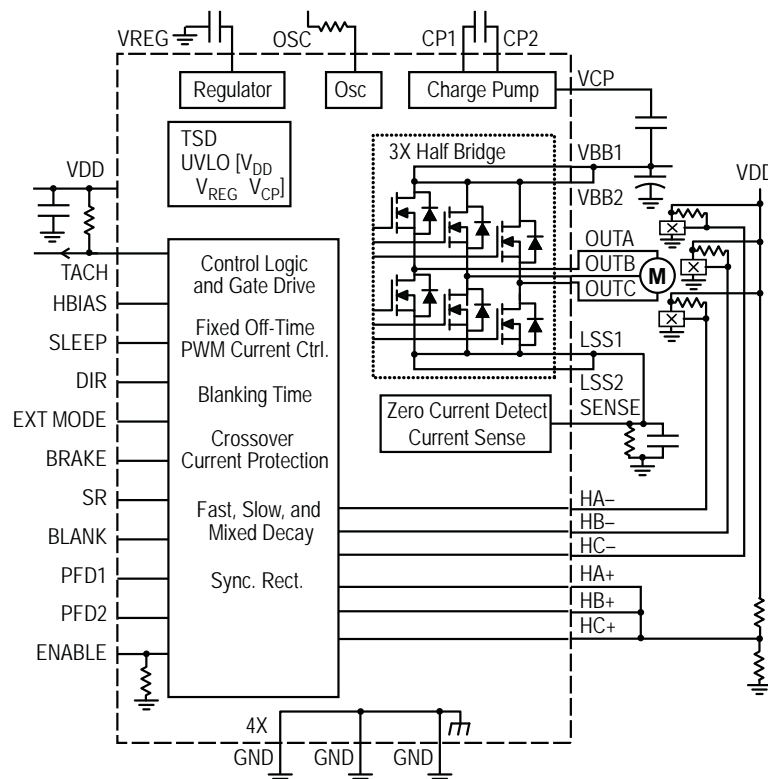
Designed for pulse-width-modulated (PWM) current control of three-phase brushless DC motors, the A3936 is capable of peak output currents to  $\pm 3$  A and operating voltages to 50 V. Internal fixed off-time PWM current-control timing circuitry can be configured to operate in slow-, fast- and mixed-decay modes.

Internal synchronous rectification control circuitry is provided to improve power dissipation during PWM operation.

Internal circuit protection includes thermal shutdown with hysteresis, and crossover current protection. Special power-up sequencing is not required.

The A3936 is supplied in a 44-pin plastic PLCC with internally fused leads (three on each side) for enhanced heat dissipation. These leads are at ground potential and need no electrical isolation. This device is lead (Pb) free version, with 100% matte tin leadframe plating.

### Typical Application



## Selection Guide

Part Number	Packing	Package
A3936SEDTR-T*	450 pieces per reel	44-pin PLCC with internally fused leads

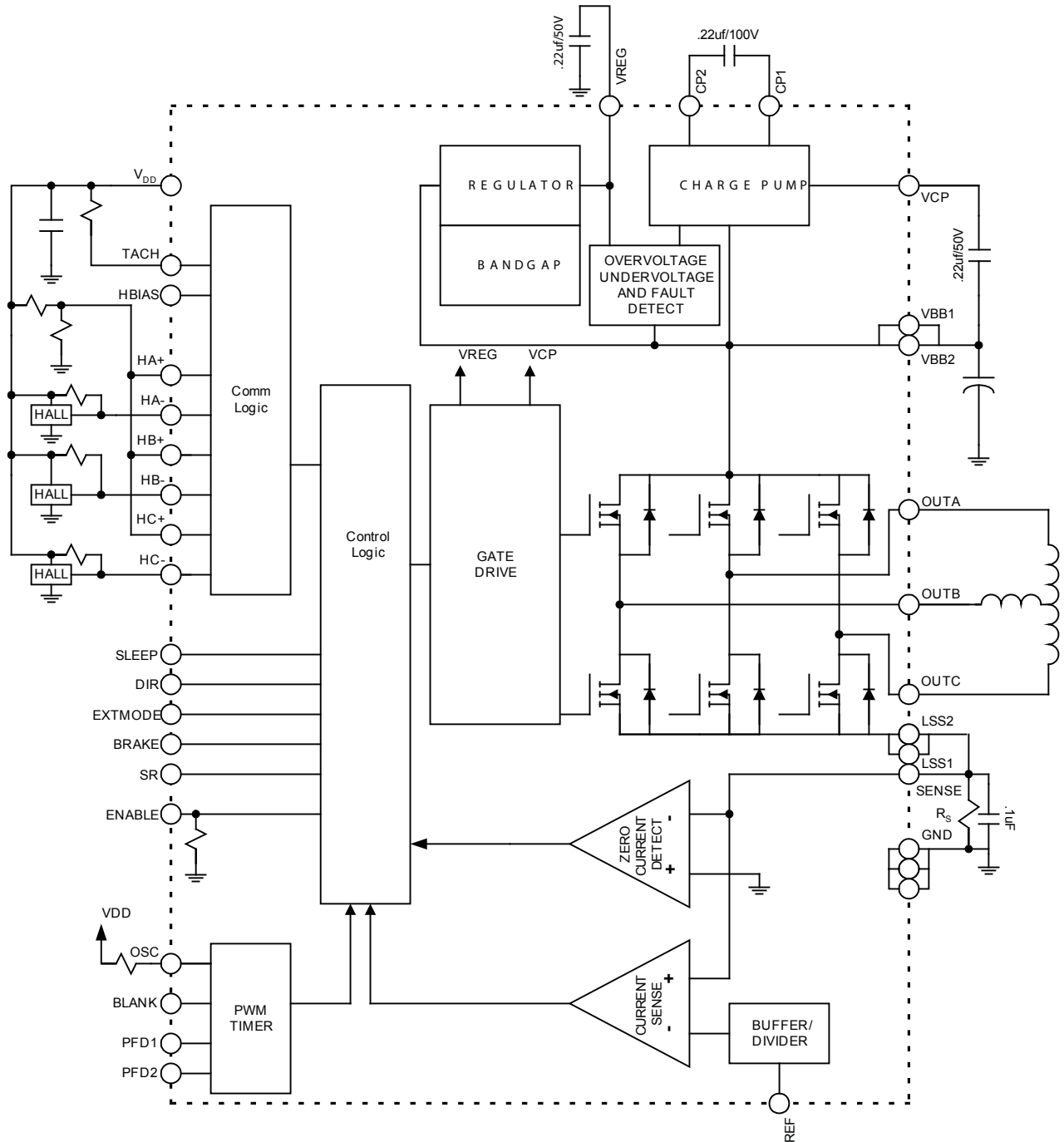
\*Variant is in production but has been determined to be NOT FOR NEW DESIGN. This classification indicates that sale of the variant is currently restricted to existing customer applications. The variant should not be purchased for new design applications because obsolescence in the near future is probable. Samples are no longer available.

Status change: May 4, 2009.

## Absolute Maximum Ratings

Characteristic	Symbol	Notes	Rating	Units
Load Supply Voltage	$V_{BB}$		50	V
Logic Supply Voltage	$V_{DD}$		7.0	V
Logic Input Voltage Range	$V_{IN}$	$t_w > 30$ ns	$-0.3$ to $V_{DD} + 0.3$	V
		$t_w < 30$ ns	$-1.0$ to $V_{DD} + 1$	V
Sense Voltage	$V_{SENSE}$		0.5	V
Reference Voltage	$V_{REF}$		$V_{DD}$	V
Output Current	$I_{OUT}$	Output current rating may be limited by duty cycle, ambient temperature, and heat sinking. Under any set of conditions, do not exceed the specified current rating or a junction temperature of 150°C.	$\pm 3$	A
Operating Ambient Temperature	$T_A$	Range S	-20 to 85	°C
Maximum Junction Temperature	$T_J(max)$		150	°C
Storage Temperature	$T_{stg}$		-55 to 150	°C

Functional Block Diagram



**ELECTRICAL CHARACTERISTICS at T<sub>J</sub> = +25°C, V<sub>BB</sub> = 50 V, V<sub>DD</sub> = 5.0 V, f<sub>PWM</sub> < 50KHz (unless noted otherwise)**

Characteristics	Symbol	Test Conditions	Limits			
			Min.	Typ.	Max.	Units

**Output Drivers**

Load Supply Voltage Range	V <sub>BB</sub>	Operating	9	–	50	V
		During Sleep Mode	0		50	V
Output Leakage Current	I <sub>DSS</sub>	V <sub>OUT</sub> = V <sub>BB</sub>	–	<1.0	20	μA
		V <sub>OUT</sub> = 0 V	–	<–1.0	-20	μA
Output On Resistance	R <sub>DSON</sub>	Source Driver, I <sub>OUT</sub> = -3A	–		.55	Ω
		Sink Driver, I <sub>OUT</sub> = 3A	–		.35	Ω
Body Diode Forward Voltage	V <sub>F</sub>	Source Diode, I <sub>F</sub> = -3A	–	–	1.4	V
		Sink Diode, I <sub>F</sub> = 3A	–	–	1.3	V
Motor Supply Current	I <sub>BB</sub>	f <sub>PWM</sub> < 50 kHz	–	4	7	mA
		Charge Pump On, Outputs Disabled	–	2	5	mA
		Sleep Mode	–	–	20	uA
Logic Supply Current	I <sub>DD</sub>	f <sub>PWM</sub> < 50 kHz		–	10	mA
		Outputs Off		–	8	mA
		Sleep Mode (Inputs below .5V)			100	μA

**Control Logic**

Logic Supply Voltage Range	V <sub>DD</sub>	Operating	3	5.0	5.5	V
Logic Input Voltage	V <sub>IN(1)</sub>		V <sub>DD</sub> *.5	–	–	V
	V <sub>IN(0)</sub>		–	–	V <sub>DD</sub> *.2	V
Logic Input Current (except ENABLE)	I <sub>IN(1)</sub>	V <sub>IN</sub> = V <sub>DD</sub> *.5	-20	<1.0	20	μA
	I <sub>IN(0)</sub>	V <sub>IN</sub> = V <sub>DD</sub> *.2	-20	<1.0	20	μA
Logic Input Current	I <sub>IN(1)</sub>	V <sub>IN</sub> = V <sub>DD</sub> *.5	–		100	μA
ENABLE Input	I <sub>IN(0)</sub>	V <sub>IN</sub> = V <sub>DD</sub> *.2	–		30	μA
Internal Oscillator	f <sub>OSC</sub>	OSC shorted to GND	3	4	5	MHz
		R <sub>OSC</sub> = 51K	3.4	4	4.6	MHz

Continued on the next page...

ELECTRICAL CHARACTERISTICS (continued) at  $T_J = +25^\circ\text{C}$ ,  $V_{BB} = 50\text{ V}$ ,  $V_{DD} = 5.0\text{ V}$ ,  $f_{PWM} < 50\text{ KHz}$   
(unless noted otherwise)

Characteristics	Symbol	Test Conditions	Limits			
			Min.	Typ.	Max.	Units
<b>Control Logic</b>						
Buffer Input Offset Volt.	$V_{IO}$		±10			mV
$V_{REF}$ Input Voltage Range		Operating	0.0	–	$V_{DD}$	V
Reference Input Current	$I_{REF}$	$V_{REF} = V_{DD}$ , $V_{BB}=0$ to 50V	-5	0	0.5	μA
Comparator Input Offset Volt.	$V_{IO}$	$V_{REF} = 0\text{ V}$	±5			mV
$G_M$ Error	$V_{ERR}$ (Note 3)	$V_{REF} = V_{DD}$	-4		4	%
		$V_{REF} = .5\text{V}$	-14		14	%
Propagation Delay Times	tpd	50% TO 90%, SR Enabled				
		PWM CHANGE TO SOURCE ON	600	750	1000	ns
		PWM CHANGE TO SOURCE OFF	50	150	350	ns
		PWM CHANGE TO SINK ON	600	750	1000	ns
		PWM CHANGE TO SINK OFF	50	100	150	ns
Crossover Delay	$t_{COD}$	SR Enabled	300	600	1000	ns
Thermal Shutdown Temp.	$T_J$		–	165	–	°C
Thermal Shutdown Hysteresis	$\Delta T_J$		–	15	–	°C
UVLO Enable Threshold		Rising $V_{DD}$	2.45	2.7	2.95	V
UVLO Hysteresis			0.05	0.10	–	V

Continued on the next page...

**ELECTRICAL CHARACTERISTICS (continued) at  $T_J = +25^\circ\text{C}$ ,  $V_{BB} = 50\text{ V}$ ,  $V_{DD} = 5.0\text{ V}$ ,  $f_{PWM} < 50\text{ kHz}$  (unless noted otherwise)**

Characteristics	Symbol	Test Conditions	Limits			
			Min.	Typ.	Max.	Units
<b>Hall Logic</b>						
Hall Input Current	$I_{HALL}$	$V_{IN} = 1.2\text{V}$	-1	0	1	$\mu\text{A}$
Common Mode Input Range	$V_{CMR}$		.3		2.5	V
AC Input Voltage Range	$V_{HALL}$		.120			Vp-p
Hysteresis	$V_{HYS}$	$T_A = -20\text{ to }85\text{ deg C.}$	10		30	mV
Pulse Reject Filter			3	5.5	8	$\mu\text{s}$
Hall Bias Output Sat Voltage	$V_{HB}$	$I_{OUT} = 40\text{mA}$ , $T_A = -20\text{ to }85\text{ deg C.}$		.4	.5	V
	$I_{HB}$				40	mA
Tach Output	$V_{OL}$	$I_{OUT} = 500\mu\text{A}$			.5	V

- NOTES:
1. Typical Data is for design information only.
  2. Negative current is defined as coming out of (sourcing) the specified device pin.
  3.  $V_{ERR} = ((V_{REF}/10) - V_{SENSE}) / (V_{REF}/10)$

### Commutation Truth Table

	120 spacing			DIR	Outputs		
	HA	HB	HC		OUTA	OUTB	OUTC
1	+	-	+	FOR	HI	LO	Z
2	+	-	-	FOR	HI	Z	LO
3	+	+	-	FOR	Z	HI	LO
4	-	+	-	FOR	LO	HI	Z
5	-	+	+	FOR	LO	Z	HI
6	-	-	+	FOR	Z	LO	HI
1	+	-	+	REV	LO	HI	Z
2	+	-	-	REV	LO	Z	HI
3	+	+	-	REV	Z	LO	HI
4	-	+	-	REV	HI	LO	Z
5	-	+	+	REV	HI	Z	LO
6	-	-	+	REV	Z	HI	LO
	-	-	-	X	Z	Z	Z
	+	+	+	X	Z	Z	Z

## Functional Description

**VREG.** The VREG pin should be decoupled with a 0.22  $\mu$ F capacitor to ground. This supply voltage is used to run the sink side DMOS outputs. VREG is internally monitored and in the case of a fault condition, the outputs of the device are disabled.

**Charge Pump.** The Charge Pump is used to generate a supply above VBB to drive the source side DMOS gates. A 0.22  $\mu$ F ceramic monolithic capacitor should be connected between CP<sub>1</sub> and CP<sub>2</sub> for pumping purposes. A 0.22  $\mu$ F ceramic monolithic capacitor should be connected between V<sub>CP</sub> and VBB to act as a reservoir to run the high side DMOS devices. The V<sub>CP</sub> Voltage is internally monitored and in the case of a fault condition the outputs of the device are disabled.

**Shutdown.** In the event of a fault due to excessive junction temperature, or low voltage on V<sub>CP</sub> or V<sub>REG</sub>, the outputs of the device are disabled until the fault condition is removed. At power up, and in the event of low V<sub>DD</sub>, the UVLO circuit disables the drivers.

**Current Regulation.** Load current is regulated by an internal fixed off time PWM control circuit. When the outputs of the DMOS H-bridge are turned on, current increases in the motor winding until it reaches a value given by:

$$I_{TRIP} = V_{REF}/(10 \cdot R_{SENSE})$$

At the trip point, the sense comparator resets the source enable latch, turning off the source driver. At this point, load inductance causes the current to recirculate for the fixed off time period. The current path during recirculation is determined by the configuration of slow/mixed decay mode and the synchronous rectification control setting.

**Enable Logic.** The Enable input terminal allows external PWM. ENABLE high turns ON the selected sink-source pair, enable low switches off the appropriate drivers and the load current decays. If the ENABLE pin is held high, the current will rise until it reaches the level set by the internal current control circuit.

ENABLE	Outputs
0	Source Chopped
1	ON

**Extmode Logic.** When using external PWM current control, the EXTMODE input determines the current path during the chopped cycle. With EXTMODE set low, fast decay mode, both the source and sink drivers are chopped OFF during the decay time (ENABLE=0). With EXTMODE high, slow decay mode, only the source driver turns off during the current decay time.

EXTMODE	Decay
0	Fast
1	Slow

**Sleep Mode.** The input pin SLEEP is dedicated to put the device into a minimum current draw mode. When asserted low, all circuits are disabled.

**Fixed Off-Time.** The 3936 is set for a fixed off time of 96 counts of the internal oscillator, typically 24  $\mu$ s with 4Mhz oscillator.

**Internal Current Control Mode.** Input pins PFD1 and PFD2 determine the current decay method after an overcurrent event is detected at sense input. In slow decay mode both sink side drivers are turned on for the fixed off time period. Mixed decay mode starts out in fast decay mode for the selected percentage of the fixed off time, and then is followed by slow decay for the rest of the period.

PFD2	PFD1	% t <sub>OFF</sub>	Decay
0	0	0	Slow
0	1	15	Mixed
1	0	48	Mixed
1	1	100	Fast

**PWM Blank Timer.** When a source driver turns on, a current spike occurs due to the reverse recovery currents of the clamp diodes and/or switching transients related to distributed capacitance in the load. To prevent this current spike from erroneously resetting the source enable latch, the sense comparator is blanked. The blank timer runs after the off time counter to provide the blanking function. The blank timer is reset when ENABLE is chopped or DIR is changed. For external PWM control, a DIR change or ENABLE ON will trigger the blanking function. The duration is adjusted by control input BLANK.

BLANK	t <sub>BLANK</sub>
0	6/f <sub>OSC</sub>
1	12/f <sub>OSC</sub>

**Brake.** Logic high to the brake terminal activates the brake function, logic low allows normal operation. Brake will turn all three sink drivers ON and effectively shorts out the motor generated BEMF. It is important to note that the internal PWM current control circuit will not limit the current when braking, since the current does not flow through the sense resistor. The maximum current can be approximated by  $V_{BEMF}/R_L$ . Care should be taken to insure that the maximum ratings of the device are not exceeded in worse case braking situations of high speed and high inertial loads.

**Oscillator.** The PWM timer is based on an internal oscillator set by a resistor connected from the OSC terminal to V<sub>DD</sub>. Typical value of 4Mhz is set with 51k resistor.

$$F_{OSC} = 204E9/R_{OSC}$$

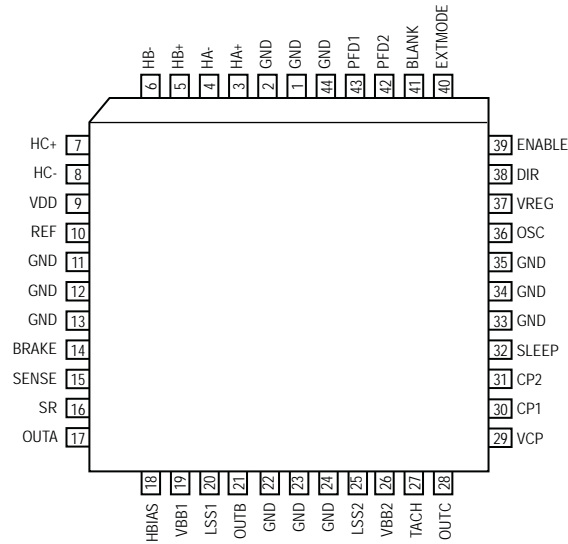
**Tach.** A tachometer signal is available for speed measurement. This open collector output toggles at each Hall transition.

**Synchronous Rectification.** Logic high applied to the SR terminal enables synchronous rectification. When a PWM off cycle is triggered, either by an ENABLE chop command or internal fixed off time cycle, load current will recirculate according to the decay mode selected by control logic. The A3936 synchronous rectification feature will turn on the appropriate MOSFET(s) during the current decay and effectively short out the body diodes with the low R<sub>dson</sub> driver. This will lower power dissipation significantly and can eliminate the need for external schottky diodes.

Reversal of load current is prevented by turning off synchronous rectification when a zero current level is detected.



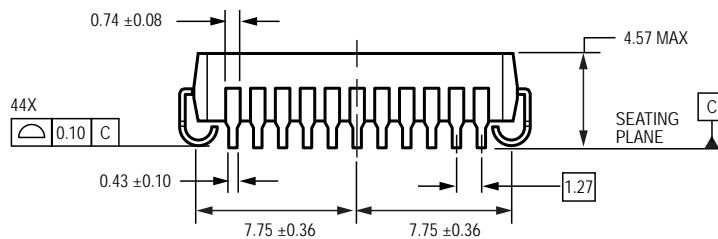
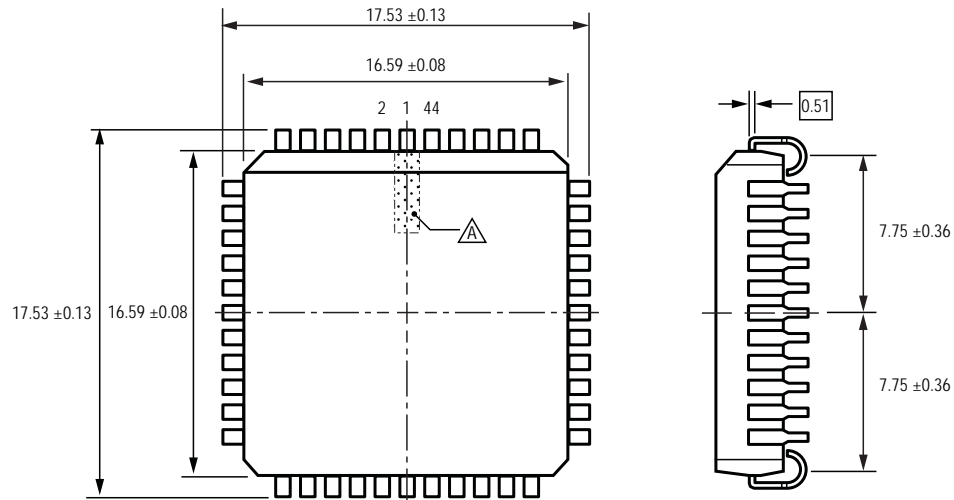
## Pin-out Diagram



### Terminal List

Pin No.	Pin Name	Pin Description
1	GND	
2	GND	
3	HA+	Hall input
4	HA-	Hall input
5	HB+	Hall input
6	HB-	Hall input
7	HC+	Hall input
8	HC-	Hall input
9	V <sub>DD</sub>	Logic Supply Voltage
10	REF	G <sub>m</sub> Reference Input Voltage
11	GND	
12	GND	
13	GND	
14	BRAKE	Logic Input
15	SENSE	Sense Resistor Connection
16	SR	Logic Input (Disabled = Low, Active SR = High)
17	OUTA	DMOS H – Bridge A
18	HBIAS	Connection for hall element neg side
19	VBB1	Load Supply Voltage
20	LSS1	Low Side Source connection
21	OUTB	DMOS H – Bridge B
22	GND	
23	GND	
24	GND	
25	LSS2	Low Side Source connection
26	VBB2	Load Supply Voltage
27	TACH	Speed output
28	OUTC	DMOS H – Bridge C
29	V <sub>CP</sub>	Reservoir Capacitor Terminal
30	CP1	Charge Pump Capacitor Terminal
31	CP2	Charge Pump Capacitor Terminal
32	SLEEP	Logic input for SLEEP mode
33	GND	
34	GND	
35	GND	
36	OSC	Oscillator Terminal
37	V <sub>REG</sub>	Regulator decoupling Terminal
38	DIR	Logic Input
39	ENABLE	Logic Input
40	EXTMODE	Logic Input
41	BLANK	Logic Input
42	PFD2	Logic Input
43	PFD1	Logic Input
44	GND	Power Ground Tab

Package ED 44-Pin PLCC



For Reference Only  
 (reference JEDEC MS-018 AC)  
 Dimensions in millimeters  
 Internally fused pins: 1, 2, and 44; 11, 12, and 13; 22, 23, and 24; and 33, 34, and 35.  
 Dimensions exclusive of mold flash, gate burrs, and dambar protrusions  
 Exact case and lead configuration at supplier discretion within limits shown  
 ▲ Terminal #1 mark area

Copyright ©2002-2009, Allegro MicroSystems, Inc.

The products described here are manufactured under one or more U.S. patents or U.S. patents pending.

Allegro MicroSystems, Inc. reserves the right to make, from time to time, such departures from the detail specifications as may be required to permit improvements in the performance, reliability, or manufacturability of its products. Before placing an order, the user is cautioned to verify that the information being relied upon is current.

Allegro's products are not to be used in life support devices or systems, if a failure of an Allegro product can reasonably be expected to cause the failure of that life support device or system, or to affect the safety or effectiveness of that device or system.

The information included herein is believed to be accurate and reliable. However, Allegro MicroSystems, Inc. assumes no responsibility for its use; nor for any infringement of patents or other rights of third parties which may result from its use.

For the latest version of this document, visit our website:

[www.allegromicro.com](http://www.allegromicro.com)

