

74ALVC164245

16-bit dual supply translating transceiver; 3-state

Rev. 02 — 1 June 2004

Product data sheet

1. General description

The 74ALVC164245 is a high-performance, low-power, low-voltage, Si-gate CMOS device, superior to most advanced CMOS compatible TTL families.

The 74ALVC164245 is a 16-bit (dual octal) dual supply translating transceiver featuring non-inverting 3-state bus compatible outputs in both send and receive directions. It is designed to interface between a 3 V and 5 V bus in a mixed 3 V and 5 V supply environment.

This device can be used as two 8-bit transceivers or one 16-bit transceiver.

The direction control inputs (1DIR and 2DIR) determine the direction of the data flow. nDIR (active HIGH) enables data from nA ports to nB ports. nDIR (active LOW) enables data from nB ports to nA ports. The output enable inputs ($1\overline{OE}$ and $2\overline{OE}$), when HIGH, disable both nA and nB ports by placing them in a high-impedance OFF-state. The nB ports interface with the 5 V bus. The nA ports interface with the 3 V bus.

In suspend mode, when one of the supply voltages is zero, there will be no current flow from the non-zero supply towards the zero supply. The A-outputs must be set 3-state and the voltage on the A-bus must be smaller than V_{diode} (typical 0.7 V). $V_{\text{CCB}} \geq V_{\text{CCA}}$ (except in suspend mode).

2. Features

- 5 V tolerant inputs/outputs for interfacing with 5 V logic
- Wide supply voltage range:
 - ◆ 3 V port (V_{CCA}): 1.5 V to 3.6 V
 - ◆ 5 V port (V_{CCB}): 1.5 V to 5.5 V.
- CMOS low power consumption
- Direct interface with TTL levels
- Control inputs voltage range from 2.7 V to 5.5 V
- Inputs accept voltages up to 5.5 V
- High-impedance outputs when V_{CCA} or $V_{\text{CCB}} = 0$ V
- Complies with JEDEC standard JESD8-B/JESD36
- ESD protection:
 - ◆ HBM EIA/JESD22-A114-B exceeds 2000 V
 - ◆ MM EIA/JESD22-A115-A exceeds 200 V.
- Specified from -40 °C to $+85$ °C and -40 °C to $+125$ °C.

PHILIPS

3. Quick reference data

Table 1: Quick reference data

$GND = 0\text{ V}$; $T_{amb} = 25\text{ °C}$; $t_r = t_f \leq 2.5\text{ ns}$.

Symbol	Parameter	Conditions	Min	Typ	Max	Unit
t_{PHL} , t_{PLH}	propagation delay nAn to nBn	$C_L = 50\text{ pF}$; $V_{CCB} = 4.5\text{ V to }5.5\text{ V}$; $V_{CCA} = 3.0\text{ V to }3.6\text{ V}$	-	2.9	-	ns
	propagation delay nBn to nAn	$C_L = 50\text{ pF}$; $V_{CCB} = 4.5\text{ V to }5.5\text{ V}$; $V_{CCA} = 3.0\text{ V to }3.6\text{ V}$	-	2.5	-	ns
	propagation delay nAn to nBn	$C_L = 50\text{ pF}$; $V_{CCB} = 3.0\text{ V to }3.6\text{ V}$; $V_{CCA} = 2.3\text{ V to }2.7\text{ V}$	-	3.3	-	ns
	propagation delay nBn to nAn	$C_L = 50\text{ pF}$; $V_{CCB} = 3.0\text{ V to }3.6\text{ V}$; $V_{CCA} = 2.3\text{ V to }2.7\text{ V}$	-	3.0	-	ns
C_I	input capacitance		-	4.0	-	pF
$C_{I/O}$	input/output capacitance A and B port		-	5.0	-	pF
C_{PD}	power dissipation capacitance 5 V port: nAn to nBn	$V_{CCB} = 5\text{ V}$; $V_{CCA} = 3.3\text{ V}$ [1] [2]				
		outputs enabled	-	30	-	pF
	outputs disabled	-	15	-	pF	
	power dissipation capacitance 3 V port: nBn to nA	$V_{CCB} = 5\text{ V}$; $V_{CCA} = 3.3\text{ V}$ [1] [2]				
outputs enabled		-	40	-	pF	
outputs disabled	-	5	-	pF		

[1] C_{PD} is used to determine the dynamic power dissipation (P_D in μW).

$P_D = C_{PD} \times V_{CC}^2 \times f_i \times N + \Sigma(C_L \times V_{CC}^2 \times f_o)$ where:

f_i = input frequency in MHz;

f_o = output frequency in MHz;

C_L = output load capacitance in pF;

V_{CC} = supply voltage in Volts;

N = total load switching outputs;

$\Sigma(C_L \times V_{CC}^2 \times f_o)$ = sum of the outputs.

[2] The condition is $V_I = GND$ to V_{CC} .

4. Ordering information

Table 2: Ordering information

Type number	Temperature range	Package		
		Name	Description	Version
74ALVC164245DGG	-40 °C to +125 °C	TSSOP48	plastic thin shrink small outline package; 48 leads; body width 6.1 mm	SOT362-1
74ALVC164245DL	-40 °C to +125 °C	SSOP48	plastic shrink small outline package; 48 leads; body width 7.5 mm	SOT370-1

5. Functional diagram

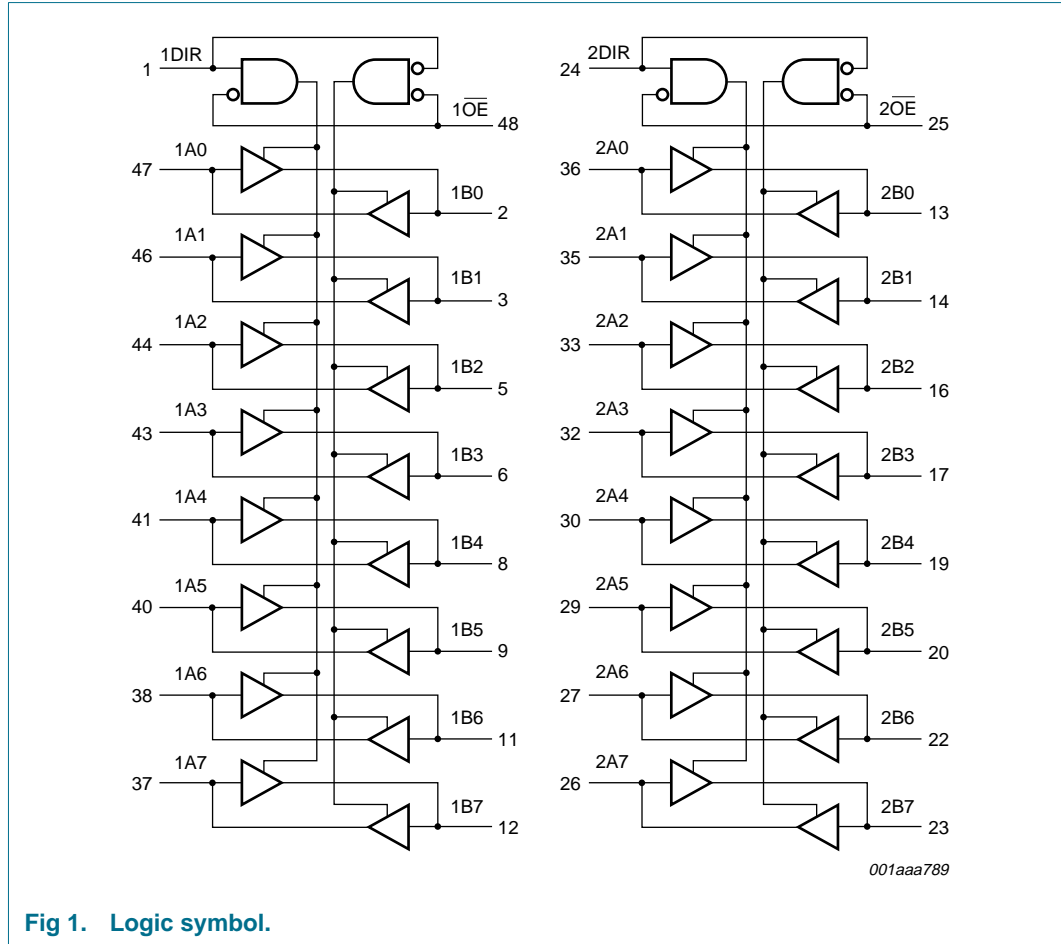


Fig 1. Logic symbol.

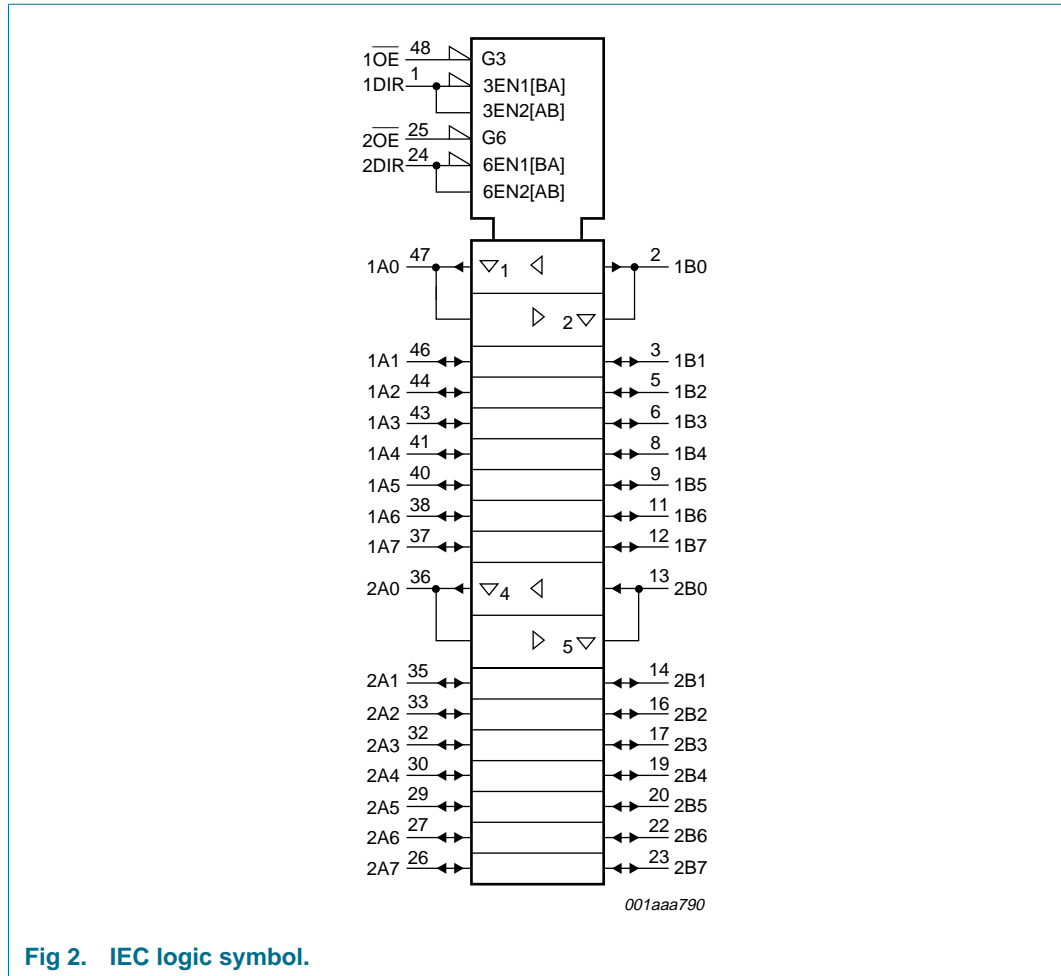


Fig 2. IEC logic symbol.

6. Pinning information

6.1 Pinning

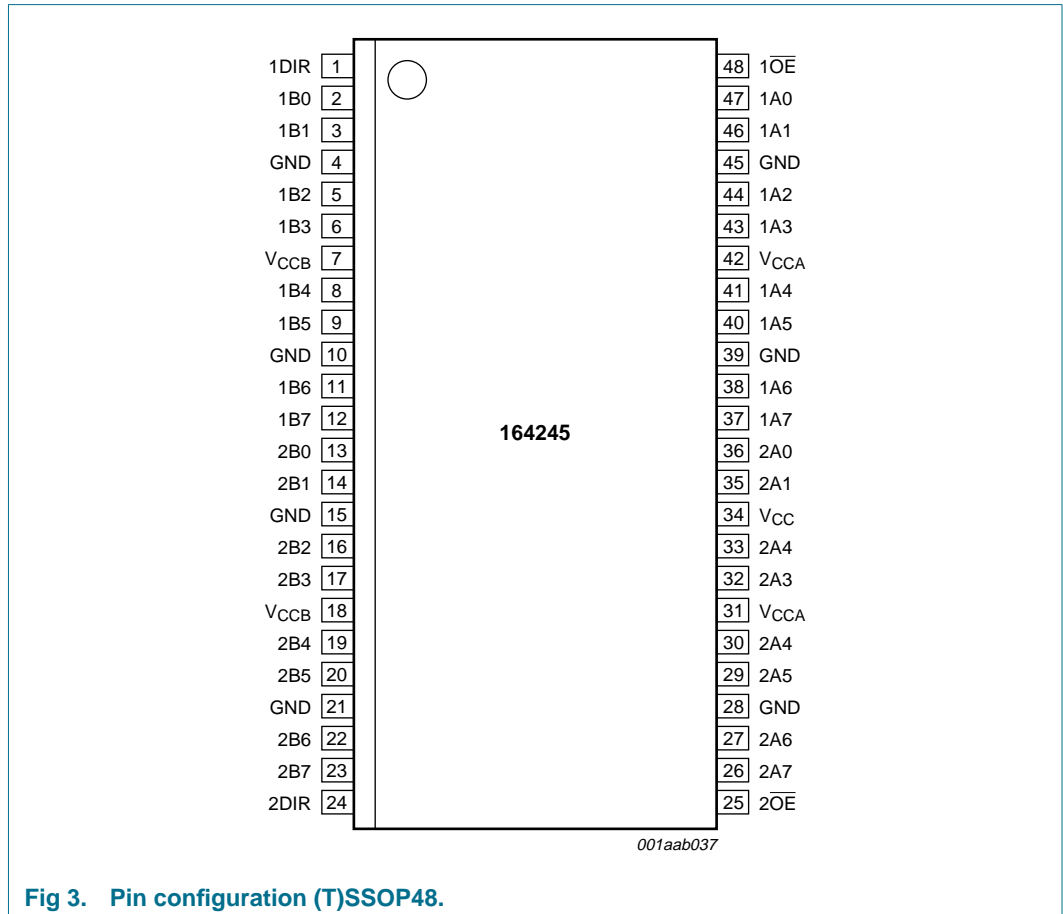


Fig 3. Pin configuration (T)SSOP48.

6.2 Pin description

Table 3: Pin description

Symbol	Pin	Description
1DIR	1	direction control input
1B0	2	data input/output
1B1	3	data input/output
GND	4, 10, 15, 21, 28, 34, 39, 45	ground (0 V)
1B2	5	data input/output
1B3	6	data input/output
V _{CCB}	7, 18	supply voltage (5 V bus)
1B4	8	data input/output
1B5	9	data input/output
1B6	11	data input/output
1B7	12	data input/output

Table 3: Pin description ...continued

Symbol	Pin	Description
2B0	13	data input/output
2B1	14	data input/output
2B2	16	data input/output
2B3	17	data input/output
2B4	19	data input/output
2B5	20	data input/output
2B6	22	data input/output
2B7	23	data input/output
2DIR	24	direction control input
2 \overline{OE}	25	output enable input (active LOW)
2A7	26	data input/output
2A6	27	data input/output
2A5	29	data input/output
2A4	30	data input/output
V _{CCA}	31, 42	supply voltage (3 V bus)
2A3	32	data input/output
2A2	33	data input/output
2A1	35	data input/output
2A0	36	data input/output
1A7	37	data input/output
1A6	38	data input/output
1A5	40	data input/output
1A4	41	data input/output
1A3	43	data input/output
1A2	44	data input/output
1A1	46	data input/output
1A0	47	data input/output
1 \overline{OE}	48	output enable input (active LOW)
n.c.	-	not connected

7. Functional description

7.1 Function table

Table 4: Function table [1]

Inputs		Outputs	
nOE	nDIR	nAn	nBn
L	L	A = B	inputs
L	H	inputs	B = A
H	X	Z	Z

- [1] H = HIGH voltage level;
 L = LOW voltage level;
 X = don't care;
 Z = high-impedance OFF-state.

8. Limiting values

Table 5: Limiting values

In accordance with the Absolute Maximum Rating System (IEC 60134). Voltages are referenced to GND (ground = 0 V). See [Table note 1](#).

Symbol	Parameter	Conditions	Min	Max	Unit
V_{CCB}	supply voltage B port	$V_{CCB} \geq V_{CCA}$	-0.5	+6.0	V
V_{CCA}	supply voltage A port	$V_{CCB} \geq V_{CCA}$	-0.5	+4.6	V
I_{IK}	input diode current	$V_I < 0$ V	-	-50	mA
V_I	input voltage		[2] -0.5	+6.0	V
$V_{I/O}$	input voltage range for I/Os		-0.5	$V_{CC} + 0.5$	V
I_{OK}	output diode current	$V_O > V_{CC}$ or $V_O < 0$ V	-	± 50	mA
V_O	output voltage	output HIGH or LOW state	[2] -0.5	$V_{CC} + 0.5$	V
		output 3-state	[2] -0.5	+6.0	V
I_O	output source or sink current	$V_O = 0$ V to V_{CC}	-	± 50	mA
I_{CC}, I_{GND}	V_{CC} or GND current		-	± 100	mA
T_{stg}	storage temperature		-65	+150	°C
P_{tot}	power dissipation				
	SSOP and TSSOP package	$T_{amb} = -40$ °C to +125 °C	[3] -	500	mW

- [1] The performance capability of a high-performance integrated circuit in conjunction with its thermal environment can create junction temperatures which are detrimental to reliability. The maximum junction temperature of this integrated circuit should not exceed 150 °C.
- [2] The input and output voltage ratings may be exceeded if the input and output current ratings are observed.
- [3] For (T)SSOP48 packages: above 60 °C the value of P_{tot} derates linearly with 5.5 mW/K.

9. Recommended operating conditions

Table 6: Recommended operating conditions

Symbol	Parameter	Conditions	Min	Typ	Max	Unit
V_{CCB}	supply voltage B port	$V_{CCB} \geq V_{CCA}$				
		maximum speed performance	2.7	-	5.5	V
		low-voltage applications	1.5	-	5.5	V
V_{CCA}	supply voltage A port	$V_{CCB} \geq V_{CCA}$				
		maximum speed performance	2.7	-	3.6	V
		low-voltage applications	1.5	-	3.6	V
V_I	input voltage control inputs		0	-	5.5	V
$V_{I/O}$	input voltage					
	A port		0	-	V_{CCA}	V
	B port		0	-	V_{CCB}	V
V_O	output voltage					
	A port		0	-	V_{CCA}	V
	B port		0	-	V_{CCB}	V
T_{amb}	operating ambient temperature		-40	-	+125	°C
t_r, t_f	input rise and fall times	$V_{CCA} = 2.7 \text{ V to } 3.0 \text{ V}$	0	-	20	ns/V
		$V_{CCA} = 3.0 \text{ V to } 3.6 \text{ V}$	0	-	10	ns/V
		$V_{CCB} = 3.0 \text{ V to } 4.5 \text{ V}$	0	-	20	ns/V
		$V_{CCB} = 4.5 \text{ V to } 5.5 \text{ V}$	0	-	10	ns/V

10. Static characteristics

Table 7: Static characteristics

At recommended operating conditions; voltages are referenced to GND (ground = 0 V).

Symbol	Parameter	Conditions	Min	Typ	Max	Unit
$T_{amb} = -40 \text{ °C to } +85 \text{ °C}$ [1]						
V_{IH}	HIGH-level input voltage					
	B port	$V_{CCB} = 3.0 \text{ V to } 5.5 \text{ V}$	[2] 2.0	-	-	V
	A port	$V_{CCA} = 3.0 \text{ V to } 3.6 \text{ V}$	2.0	-	-	V
		$V_{CCA} = 2.3 \text{ V to } 2.7 \text{ V}$	[2] 1.7	-	-	V
V_{IL}	LOW-level input voltage					
	B port	$V_{CCB} = 4.5 \text{ V to } 5.5 \text{ V}$	[2] -	-	0.8	V
		$V_{CCB} = 3.0 \text{ V to } 3.6 \text{ V}$	[2] -	-	0.7	V
	A port	$V_{CCA} = 3.0 \text{ V to } 3.6 \text{ V}$	-	-	0.8	V
$V_{CCA} = 2.3 \text{ V to } 2.7 \text{ V}$		[2] -	-	0.7	V	

Table 7: Static characteristics ...continued

At recommended operating conditions; voltages are referenced to GND (ground = 0 V).

Symbol	Parameter	Conditions	Min	Typ	Max	Unit								
V_{OH}	HIGH-level output voltage	B port	$V_I = V_{IH}$ or V_{IL}	$I_O = -24$ mA; $V_{CCB} = 4.5$ V	$V_{CCB} - 0.8$	-	-	V						
									$I_O = -12$ mA; $V_{CCB} = 4.5$ V	$V_{CCB} - 0.5$	-	-	V	
					$I_O = -18$ mA; $V_{CCB} = 3.0$ V	$V_{CCB} - 0.8$	-	-	V					
										$I_O = -100$ μ A; $V_{CCB} = 3.0$ V	$V_{CCB} - 0.2$	V_{CCB}	-	V
	A port	$V_I = V_{IH}$ or V_{IL}	$I_O = -24$ mA; $V_{CCA} = 3.0$ V	$V_{CCA} - 0.7$	-	-	-	V						
									$I_O = -100$ μ A; $V_{CCA} = 3.0$ V	$V_{CCA} - 0.2$	-	-	V	
									$I_O = -12$ mA; $V_{CCA} = 2.7$ V	$V_{CCA} - 0.5$	-	-	V	
									$I_O = -8$ mA; $V_{CCA} = 2.3$ V	$V_{CCA} - 0.6$	-	-	V	
									$I_O = -100$ μ A; $V_{CCA} = 2.3$ V	$V_{CCA} - 0.2$	V_{CCA}	-	V	
	V_{OL}	LOW-level output voltage	B port	$V_I = V_{IH}$ or V_{IL}	$I_O = 24$ mA; $V_{CCB} = 4.5$ V	-	-	0.55	V					
$I_O = 12$ mA; $V_{CCB} = 4.5$ V										-	-	0.40	V	
					$I_O = 100$ μ A; $V_{CCB} = 4.5$ V	-	-	0.20	V					
										$I_O = 18$ mA; $V_{CCB} = 3.0$ V	-	-	0.55	V
A port		$V_I = V_{IH}$ or V_{IL}	$I_O = 100$ μ A; $V_{CCB} = 3.0$ V	-	-	-	-	0.20	V					
										$I_O = 24$ mA; $V_{CCA} = 3.0$ V	-	-	0.55	V
										$I_O = 100$ μ A; $V_{CCA} = 3.0$ V	-	-	0.20	V
										$I_O = 12$ mA; $V_{CCA} = 2.7$ V	-	-	0.40	V
										$I_O = 12$ mA; $V_{CCA} = 2.3$ V	-	-	0.60	V
										$I_O = 100$ μ A; $V_{CCA} = 2.3$ V	-	-	0.20	V
I_{LI}		input leakage current	$V_I = 5.5$ V or GND	-	± 0.1	± 5	μ A							
I_{OZ}		3-state output OFF-state current	$V_I = V_{IH}$ or V_{IL} ; $V_O = V_{CC}$ or GND	[3]	± 0.1	± 10	μ A							
I_{CC}		quiescent supply current	$V_I = V_{CC}$ or GND; $I_O = 0$ A	-	0.1	40	μ A							
ΔI_{CC}		additional quiescent supply current per control pin	$V_I = V_{CC} - 0.6$ V; $I_O = 0$ A	[4]	5	500	μ A							
C_I		input capacitance		-	4.0	-	pF							
$C_{I/O}$	input/output capacitance A and B port		-	5.0	-	pF								
$T_{amb} = -40$ °C to $+125$ °C														
V_{IH}	HIGH-level input voltage	B port	$V_{CCB} = 3.0$ V to 5.5 V	[2]	2.0	-	-	V						
		A port	$V_{CCA} = 3.0$ V to 3.6 V		2.0	-	-	V						
			$V_{CCA} = 2.3$ V to 2.7 V	[2]	1.7	-	-	V						

Table 7: Static characteristics ...continued

At recommended operating conditions; voltages are referenced to GND (ground = 0 V).

Symbol	Parameter	Conditions	Min	Typ	Max	Unit	
V _{IL}	LOW-level input voltage						
	B port	V _{CCB} = 4.5 V to 5.5 V	[2]	-	0.8	V	
		V _{CCB} = 3.0 V to 3.6 V	[2]	-	0.7	V	
	A port	V _{CCA} = 3.0 V to 3.6 V	-	-	0.8	V	
V _{CCA} = 2.3 V to 2.7 V		[2]	-	0.7	V		
V _{OH}	HIGH-level output voltage						
	B port	V _I = V _{IH} or V _{IL}					
		I _O = -24 mA; V _{CCB} = 4.5 V	V _{CCB} - 1.2	-	-	V	
		I _O = -12 mA; V _{CCB} = 4.5 V	V _{CCB} - 0.8	-	-	V	
		I _O = -18 mA; V _{CCB} = 3.0 V	V _{CCB} - 1.0	-	-	V	
		I _O = -100 µA; V _{CCB} = 3.0 V	V _{CCB} - 0.3 V _{CCB}	-	-	V	
	A port	V _I = V _{IH} or V _{IL}					
		I _O = -24 mA; V _{CCA} = 3.0 V	V _{CCA} - 1.0	-	-	V	
		I _O = -100 µA; V _{CCA} = 3.0 V	V _{CCA} - 0.3	-	-	V	
		I _O = -12 mA; V _{CCA} = 2.7 V	V _{CCA} - 0.8	-	-	V	
		I _O = -8 mA; V _{CCA} = 2.3 V	V _{CCA} - 0.6	-	-	V	
		I _O = -100 µA; V _{CCA} = 2.3 V	V _{CCA} - 0.3 V _{CCA}	-	-	V	
V _{OL}	LOW-level output voltage						
	B port	V _I = V _{IH} or V _{IL}					
		I _O = 24 mA; V _{CCB} = 4.5 V	-	-	0.60	V	
		I _O = 12 mA; V _{CCB} = 4.5 V	-	-	0.80	V	
		I _O = 100 µA; V _{CCB} = 4.5 V	-	-	0.30	V	
		I _O = 18 mA; V _{CCB} = 3.0 V	-	-	0.80	V	
	A port	V _I = V _{IH} or V _{IL}					
		I _O = 24 mA; V _{CCA} = 3.0 V	-	-	0.80	V	
		I _O = 100 µA; V _{CCA} = 3.0 V	-	-	0.30	V	
		I _O = 12 mA; V _{CCA} = 2.7 V	-	-	0.60	V	
		I _O = 12 mA; V _{CCA} = 2.3 V	-	-	0.60	V	
		I _O = 100 µA; V _{CCA} = 2.3 V	-	-	0.20	V	
I _{LI}	input leakage current	V _I = 5.5 V or GND	-	±0.1	±10	µA	
I _{OZ}	3-state output OFF-state current	V _I = V _{IH} or V _{IL} ; V _O = V _{CC} or GND	[3]	±0.1	±20	µA	
I _{CC}	quiescent supply current	V _I = V _{CC} or GND; I _O = 0 A	-	0.1	80	µA	
ΔI _{CC}	additional quiescent supply current per control pin	V _I = V _{CC} - 0.6 V; I _O = 0 A	[4]	5	5000	µA	

[1] All typical values are measured at V_{CCB} = 5.0 V, V_{CCA} = 3.3 V and T_{amb} = 25 °C.

[2] If V_{CCA} < 2.7 V, the switching levels at all inputs are not TTL compatible.

[3] For transceivers, the parameter I_{OZ} includes the input leakage current.

[4] V_{CCA} = 2.7 V to 3.6 V: other inputs at V_{CCA} or GND; V_{CCB} = 4.5 V to 5.5 V: other inputs at V_{CCB} or GND.

11. Dynamic characteristics

Table 8: Dynamic characteristics
GND = 0 V; $t_r = t_f \leq 2.5$ ns; $C_L = 50$ pF; see [Figure 6](#).

Symbol	Parameter	Conditions	Min	Typ	Max	Unit
$T_{amb} = -40$ °C to $+85$ °C [1]						
t_{PHL} , t_{PLH}	propagation delay nAn to nBn	see Figure 4				
		$V_{CCA} = 2.3$ V to 2.7 V; $V_{CCB} = 3.0$ V tot 3.6 V	1.5	3.3	7.6	ns
		$V_{CCA} = 2.7$ V; $V_{CCB} = 4.5$ V to 5.5 V	1.0	3.0	5.9	ns
		$V_{CCA} = 3.0$ V to 3.6 V; $V_{CCB} = 4.5$ V to 5.5 V	1.0	2.9	5.8	ns
	propagation delay nBn to nAn	see Figure 4				
		$V_{CCA} = 2.3$ V to 2.7 V; $V_{CCB} = 3.0$ V tot 3.6 V	1.0	3.0	7.6	ns
$V_{CCA} = 2.7$ V; $V_{CCB} = 4.5$ V to 5.5 V		1.0	4.3	6.7	ns	
	$V_{CCA} = 3.0$ V to 3.6 V; $V_{CCB} = 4.5$ V to 5.5 V	1.2	2.5	5.8	ns	
t_{PZH} , t_{PZL}	3-state output enable time nOE to nBn	see Figure 5				
		$V_{CCA} = 2.3$ V to 2.7 V; $V_{CCB} = 3.0$ V tot 3.6 V	1.5	4.1	11.5	ns
		$V_{CCA} = 2.7$ V; $V_{CCB} = 4.5$ V to 5.5 V	1.5	3.6	9.2	ns
		$V_{CCA} = 3.0$ V to 3.6 V; $V_{CCB} = 4.5$ V to 5.5 V	1.0	3.2	8.9	ns
	3-state output enable time nOE to nAn	see Figure 5				
		$V_{CCA} = 2.3$ V to 2.7 V; $V_{CCB} = 3.0$ V tot 3.6 V	1.5	4.6	12.3	ns
$V_{CCA} = 2.7$ V; $V_{CCB} = 4.5$ V to 5.5 V		1.5	4.3	9.3	ns	
	$V_{CCA} = 3.0$ V to 3.6 V; $V_{CCB} = 4.5$ V to 5.5 V	1.0	3.2	8.9	ns	
t_{PHZ} , t_{PLZ}	3-state output disable time nOE to nBn	see Figure 5				
		$V_{CCA} = 2.3$ V to 2.7 V; $V_{CCB} = 3.0$ V tot 3.6 V	2.0	2.7	10.5	ns
		$V_{CCA} = 2.7$ V; $V_{CCB} = 4.5$ V to 5.5 V	2.5	4.6	9.0	ns
		$V_{CCA} = 3.0$ V to 3.6 V; $V_{CCB} = 4.5$ V to 5.5 V	2.1	4.9	8.6	ns
	3-state output disable time nOE to nAn	see Figure 5				
		$V_{CCA} = 2.3$ V to 2.7 V; $V_{CCB} = 3.0$ V tot 3.6 V	1.0	2.7	9.3	ns
$V_{CCA} = 2.7$ V; $V_{CCB} = 4.5$ V to 5.5 V		1.5	3.5	9.0	ns	
	$V_{CCA} = 3.0$ V to 3.6 V; $V_{CCB} = 4.5$ V to 5.5 V	2.0	3.2	8.6	ns	
C_{PD}	power dissipation capacitance 5 V port: nAn to nBn	$V_{CCB} = 5$ V; $V_{CCA} = 3.3$ V	[2] [3]			
		outputs enabled	-	30	-	pF
		outputs disabled	-	15	-	pF
	power dissipation capacitance 3 V port: nBn to nA	$V_{CCB} = 5$ V; $V_{CCA} = 3.3$ V	[2] [3]			
outputs enabled		-	40	-	pF	
	outputs disabled	-	5	-	pF	

Table 8: Dynamic characteristics ...continued
 $GND = 0\text{ V}$; $t_r = t_f \leq 2.5\text{ ns}$; $C_L = 50\text{ pF}$; see [Figure 6](#).

Symbol	Parameter	Conditions	Min	Typ	Max	Unit	
$T_{\text{amb}} = -40\text{ °C to }+125\text{ °C}$							
$t_{\text{PHL}}, t_{\text{PLH}}$	propagation delay nAn to nBn	see Figure 4					
		$V_{\text{CCA}} = 2.3\text{ V to }2.7\text{ V}$; $V_{\text{CCB}} = 3.0\text{ V tot }3.6\text{ V}$	1.5	-	9.5	ns	
		$V_{\text{CCA}} = 2.7\text{ V}$; $V_{\text{CCB}} = 4.5\text{ V to }5.5\text{ V}$	1.0	-	7.5	ns	
		$V_{\text{CCA}} = 3.0\text{ V to }3.6\text{ V}$; $V_{\text{CCB}} = 4.5\text{ V to }5.5\text{ V}$	1.0	-	7.5	ns	
	propagation delay nBn to nAn	see Figure 4					
		$V_{\text{CCA}} = 2.3\text{ V to }2.7\text{ V}$; $V_{\text{CCB}} = 3.0\text{ V tot }3.6\text{ V}$	1.0	-	9.5	ns	
$V_{\text{CCA}} = 2.7\text{ V}$; $V_{\text{CCB}} = 4.5\text{ V to }5.5\text{ V}$		1.0	-	8.5	ns		
	$V_{\text{CCA}} = 3.0\text{ V to }3.6\text{ V}$; $V_{\text{CCB}} = 4.5\text{ V to }5.5\text{ V}$	1.2	-	7.5	ns		
$t_{\text{PZH}}, t_{\text{PZL}}$	3-state output enable time $n\overline{\text{OE}}$ to nBn	see Figure 5					
		$V_{\text{CCA}} = 2.3\text{ V to }2.7\text{ V}$; $V_{\text{CCB}} = 3.0\text{ V tot }3.6\text{ V}$	1.5	-	14.5	ns	
		$V_{\text{CCA}} = 2.7\text{ V}$; $V_{\text{CCB}} = 4.5\text{ V to }5.5\text{ V}$	1.5	-	11.5	ns	
		$V_{\text{CCA}} = 3.0\text{ V to }3.6\text{ V}$; $V_{\text{CCB}} = 4.5\text{ V to }5.5\text{ V}$	1.0	-	12.0	ns	
	3-state output enable time $n\overline{\text{OE}}$ to nAn	see Figure 5					
		$V_{\text{CCA}} = 2.3\text{ V to }2.7\text{ V}$; $V_{\text{CCB}} = 3.0\text{ V tot }3.6\text{ V}$	1.5	-	15.5	ns	
$V_{\text{CCA}} = 2.7\text{ V}$; $V_{\text{CCB}} = 4.5\text{ V to }5.5\text{ V}$		1.5	-	12.0	ns		
	$V_{\text{CCA}} = 3.0\text{ V to }3.6\text{ V}$; $V_{\text{CCB}} = 4.5\text{ V to }5.5\text{ V}$	1.0	-	11.5	ns		
$t_{\text{PHZ}}, t_{\text{PLZ}}$	3-state output disable time $n\overline{\text{OE}}$ to nBn	see Figure 5					
		$V_{\text{CCA}} = 2.3\text{ V to }2.7\text{ V}$; $V_{\text{CCB}} = 3.0\text{ V tot }3.6\text{ V}$	2.0	-	13.5	ns	
		$V_{\text{CCA}} = 2.7\text{ V}$; $V_{\text{CCB}} = 4.5\text{ V to }5.5\text{ V}$	2.5	-	11.5	ns	
		$V_{\text{CCA}} = 3.0\text{ V to }3.6\text{ V}$; $V_{\text{CCB}} = 4.5\text{ V to }5.5\text{ V}$	2.1	-	11.0	ns	
	3-state output disable time $n\overline{\text{OE}}$ to nAn	see Figure 5					
		$V_{\text{CCA}} = 2.3\text{ V to }2.7\text{ V}$; $V_{\text{CCB}} = 3.0\text{ V tot }3.6\text{ V}$	1.0	-	12.0	ns	
$V_{\text{CCA}} = 2.7\text{ V}$; $V_{\text{CCB}} = 4.5\text{ V to }5.5\text{ V}$		1.5	-	11.5	ns		
	$V_{\text{CCA}} = 3.0\text{ V to }3.6\text{ V}$; $V_{\text{CCB}} = 4.5\text{ V to }5.5\text{ V}$	2.0	-	11.0	ns		

[1] All typical values are measured at nominal voltage for V_{CCB} and V_{CCA} and at $T_{\text{amb}} = 25\text{ °C}$.

[2] C_{PD} is used to determine the dynamic power dissipation (P_{D} in μW).

$P_{\text{D}} = C_{\text{PD}} \times V_{\text{CC}}^2 \times f_i \times N + \Sigma(C_L \times V_{\text{CC}}^2 \times f_o)$ where:

f_i = input frequency in MHz;

f_o = output frequency in MHz;

C_L = output load capacitance in pF;

V_{CC} = supply voltage in Volts;

N = total load switching outputs;

$\Sigma(C_L \times V_{\text{CC}}^2 \times f_o)$ = sum of the outputs.

[3] The condition is $V_I = GND$ to V_{CC} .

12. AC waveforms

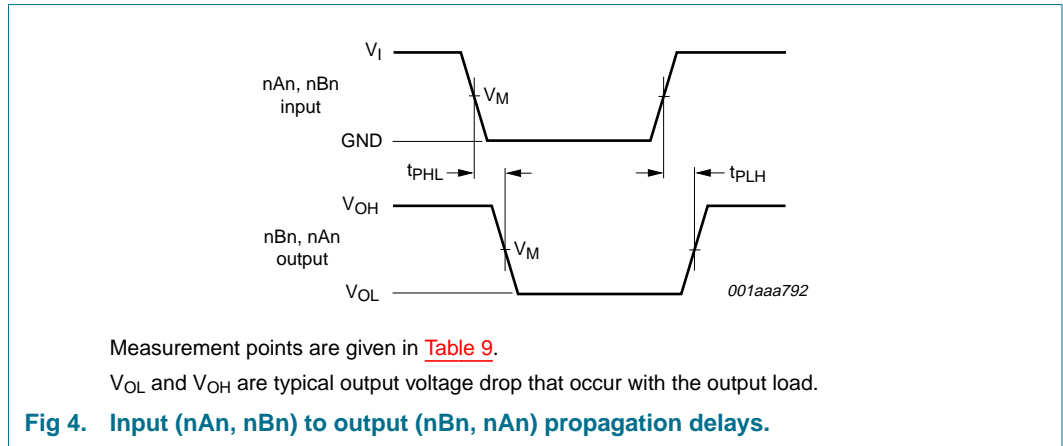


Table 9: Measurement points

Direction	Supply voltage		Input		Output
	V_{CCA}	V_{CCB}	V_I	V_M	V_M
A port to B port	2.3 V to 2.7 V	2.7 V to 3.6 V	V_{CCA}	$0.5 \times V_{CCA}$	1.5 V
B port to A port	2.3 V to 2.7 V	2.7 V to 3.6 V	2.7 V	1.5 V	$0.5 \times V_{CCA}$
A port to B port	2.7 V to 3.6 V	4.5 V to 5.5 V	2.7 V	1.5 V	$0.5 \times V_{CCB}$
B port to A port	2.7 V to 3.6 V	4.5 V to 5.5 V	3.0 V	1.5 V	1.5 V

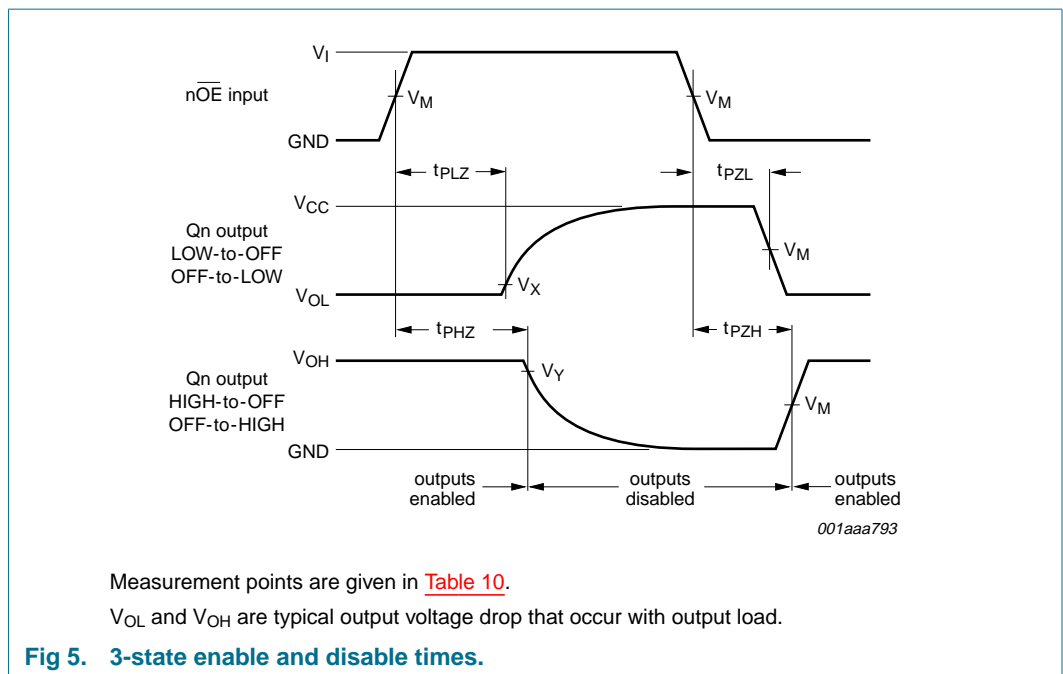


Table 10: Measurement points

Direction	Supply voltage		Input		Output		
	V _{CCA}	V _{CCB}	V _I	V _M	V _M	V _X	V _Y
A port to B port	2.3 V to 2.7 V	2.7 V to 3.6 V	V _{CCA}	0.5 × V _{CCA}	1.5 V	V _{OL(B)} + 0.3 V	V _{OH(B)} - 0.3 V
B port to A port	2.3 V to 2.7 V	2.7 V to 3.6 V	2.7 V	1.5 V	0.5 × V _{CCA}	V _{OL(A)} + 0.15 V	V _{OH(A)} - 0.15 V
A port to B port	2.7 V to 3.6 V	4.5 V to 5.5 V	2.7 V	1.5 V	0.5 × V _{CCB}	0.2 × V _{CCB}	0.8 × V _{CCB}
B port to A port	2.7 V to 3.6 V	4.5 V to 5.5 V	3.0 V	1.5 V	1.5 V	V _{OL(A)} + 0.3 V	V _{OH(A)} - 0.3 V

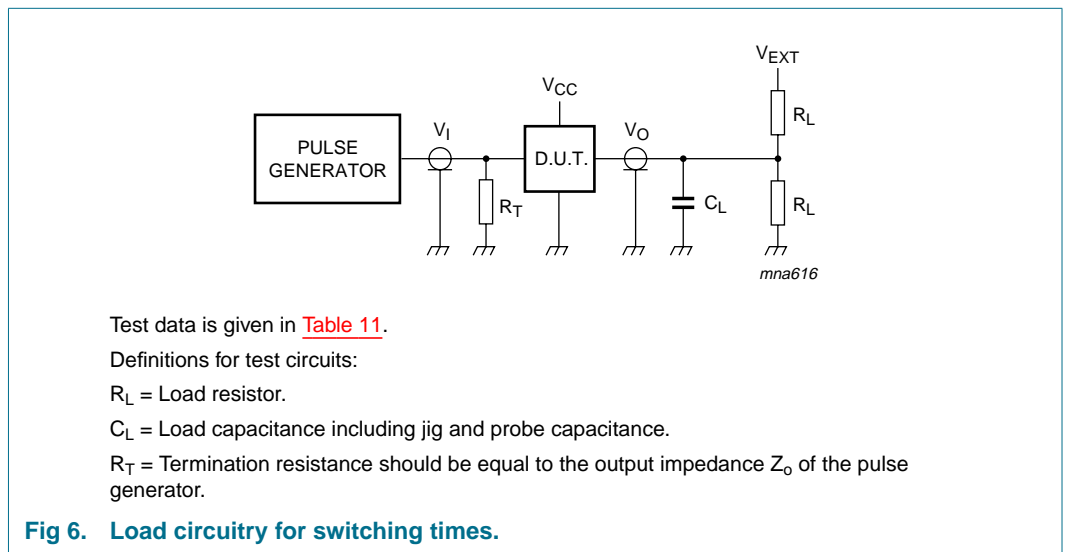


Fig 6. Load circuitry for switching times.

Table 11: Test data

Direction	Supply voltage		Load		V _{EXT}		
	V _{CCA}	V _{CCB}	C _L	R _L	t _{PLH} , t _{PHL}	t _{PZH} , t _{PHZ}	t _{PZL} , t _{PLZ}
A port to B port	2.3 V to 2.7 V	2.7 V to 3.6 V	50 pF	500 Ω	open	GND	2 × V _{CC}
B port to A port	2.3 V to 2.7 V	2.7 V to 3.6 V	50 pF	500 Ω	open	GND	6.0 V
A port to B port	2.7 V to 3.6 V	4.5 V to 5.5 V	50 pF	500 Ω	open	GND	2 × V _{CC}
B port to A port	2.7 V to 3.6 V	4.5 V to 5.5 V	50 pF	500 Ω	open	GND	6.0 V

13. Package outline

SSOP48: plastic shrink small outline package; 48 leads; body width 7.5 mm

SOT370-1

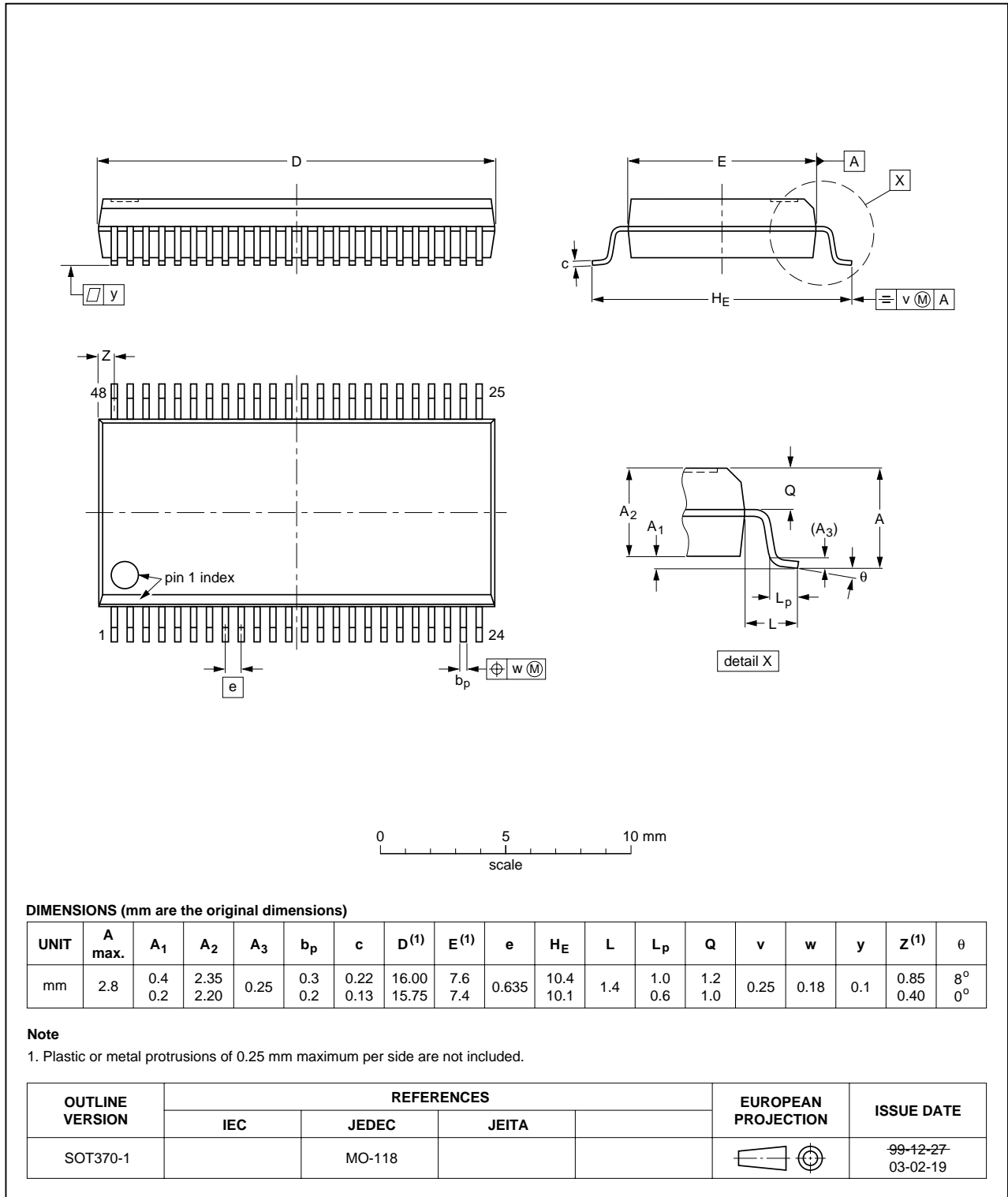


Fig 7. Package outline SSOP48.

TSSOP48: plastic thin shrink small outline package; 48 leads; body width 6.1 mm

SOT362-1

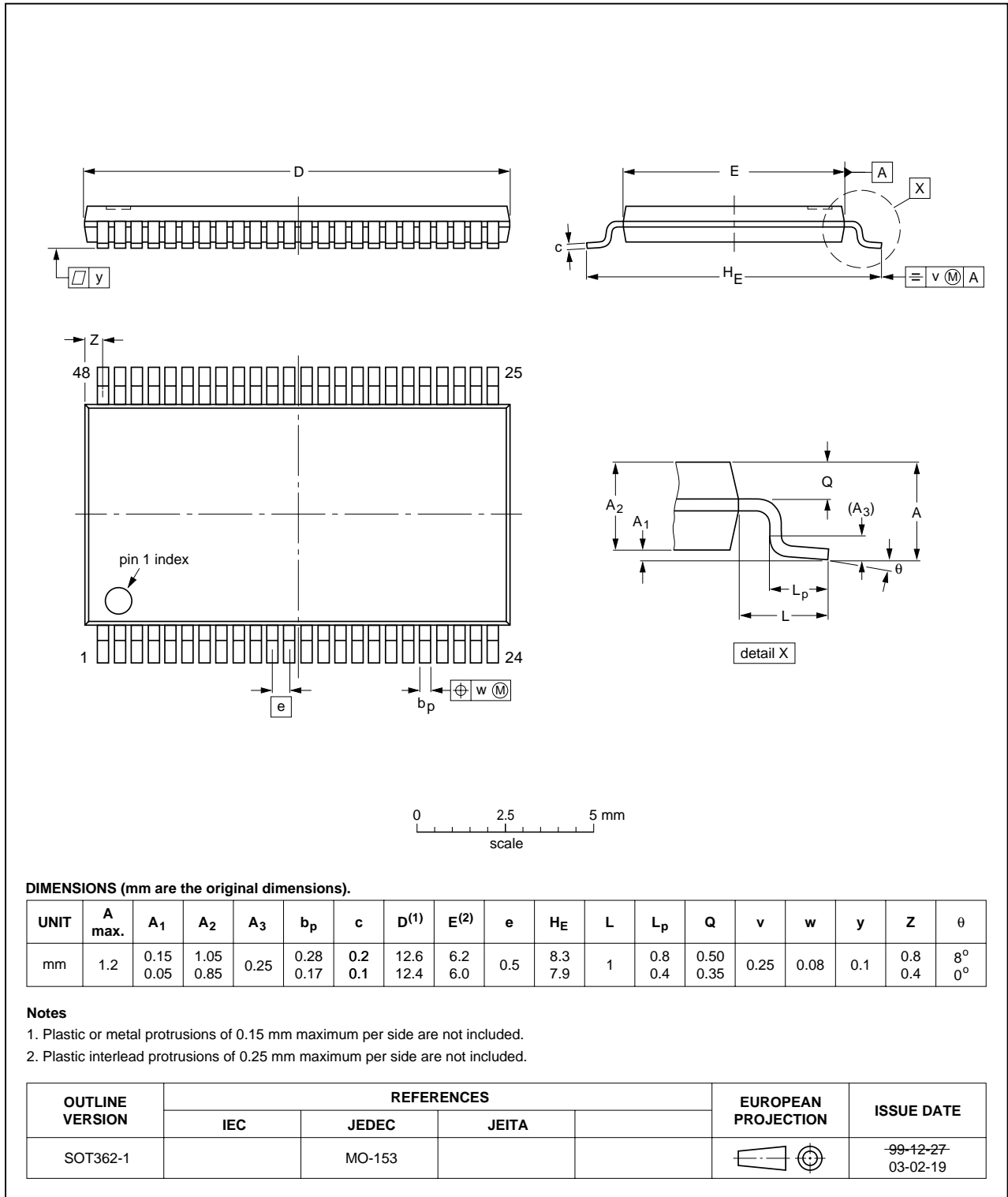


Fig 8. Package outline TSSOP48.

14. Revision history

Table 12: Revision history

Document ID	Release date	Data sheet status	Change notice	Order number	Supersedes
74ALVC164245_2	20040601	Product data	-	9397 750 13248	74ALVC164245_1
Modifications:					
					<ul style="list-style-type: none">• The format of this data sheet has been redesigned to comply with the current presentation and information standard of Philips Semiconductors.• Table 2: VFPGA56 type added• Table 7: Values for $T_{amb} = -40\text{ °C}$ to $+125\text{ °C}$ added• Table 8: Values for $T_{amb} = -40\text{ °C}$ to $+125\text{ °C}$ added
74ALVC164245_1	19980826	Product specification	-	9397 750 04564	-

15. Data sheet status

Level	Data sheet status ^[1]	Product status ^[2] ^[3]	Definition
I	Objective data	Development	This data sheet contains data from the objective specification for product development. Philips Semiconductors reserves the right to change the specification in any manner without notice.
II	Preliminary data	Qualification	This data sheet contains data from the preliminary specification. Supplementary data will be published at a later date. Philips Semiconductors reserves the right to change the specification without notice, in order to improve the design and supply the best possible product.
III	Product data	Production	This data sheet contains data from the product specification. Philips Semiconductors reserves the right to make changes at any time in order to improve the design, manufacturing and supply. Relevant changes will be communicated via a Customer Product/Process Change Notification (CPCN).

[1] Please consult the most recently issued data sheet before initiating or completing a design.

[2] The product status of the device(s) described in this data sheet may have changed since this data sheet was published. The latest information is available on the Internet at URL <http://www.semiconductors.philips.com>.

[3] For data sheets describing multiple type numbers, the highest-level product status determines the data sheet status.

16. Definitions

Short-form specification — The data in a short-form specification is extracted from a full data sheet with the same type number and title. For detailed information see the relevant data sheet or data handbook.

Limiting values definition — Limiting values given are in accordance with the Absolute Maximum Rating System (IEC 60134). Stress above one or more of the limiting values may cause permanent damage to the device. These are stress ratings only and operation of the device at these or at any other conditions above those given in the Characteristics sections of the specification is not implied. Exposure to limiting values for extended periods may affect device reliability.

Application information — Applications that are described herein for any of these products are for illustrative purposes only. Philips Semiconductors make no representation or warranty that such applications will be suitable for the specified use without further testing or modification.

17. Disclaimers

Life support — These products are not designed for use in life support appliances, devices, or systems where malfunction of these products can reasonably be expected to result in personal injury. Philips Semiconductors customers using or selling these products for use in such applications do so at their own risk and agree to fully indemnify Philips Semiconductors for any damages resulting from such application.

Right to make changes — Philips Semiconductors reserves the right to make changes in the products - including circuits, standard cells, and/or software - described or contained herein in order to improve design and/or performance. When the product is in full production (status 'Production'), relevant changes will be communicated via a Customer Product/Process Change Notification (CPCN). Philips Semiconductors assumes no responsibility or liability for the use of any of these products, conveys no license or title under any patent, copyright, or mask work right to these products, and makes no representations or warranties that these products are free from patent, copyright, or mask work right infringement, unless otherwise specified.

18. Contact information

For additional information, please visit: <http://www.semiconductors.philips.com>

For sales office addresses, send an email to: sales.addresses@www.semiconductors.philips.com

19. Contents

1	General description	1
2	Features	1
3	Quick reference data	2
4	Ordering information	2
5	Functional diagram	3
6	Pinning information	5
6.1	Pinning	5
6.2	Pin description	5
7	Functional description	7
7.1	Function table	7
8	Limiting values	7
9	Recommended operating conditions	8
10	Static characteristics	8
11	Dynamic characteristics	11
12	AC waveforms	13
13	Package outline	15
14	Revision history	17
15	Data sheet status	18
16	Definitions	18
17	Disclaimers	18
18	Contact information	18



© Koninklijke Philips Electronics N.V. 2004

All rights are reserved. Reproduction in whole or in part is prohibited without the prior written consent of the copyright owner. The information presented in this document does not form part of any quotation or contract, is believed to be accurate and reliable and may be changed without notice. No liability will be accepted by the publisher for any consequence of its use. Publication thereof does not convey nor imply any license under patent- or other industrial or intellectual property rights.

Date of release: 1 June 2004
Document order number: 9397 750 13248

Published in The Netherlands